



**Mianyang Weibo Electronic Co.,Ltd**

*Designing, Manufacturing and Supplying WB Series Electric Isolated Sensor and Digital  
Electrical Transducer since 1989*

## **USER MANUAL**

### **WBP214P71 active power transducer**

**(3-phase 3-wired)**



[www.wb-my.com](http://www.wb-my.com)

[wblch@wbdz.cn](mailto:wblch@wbdz.cn)

Technical Service: 86 816 2778271

Quality Complain: 86 816 2278273

Fax Line: 86 816 2281934

ISO9001 ISO14000 ISO18000

Certified

Quality Warranty

Any quality problem found in WB series products, we offer

Three years free charge of repair the products, and six months guaranteed free charge of change and return the products.

## WBP214P71 Active power Transducer

### Safety claim

The information in the safety claim of the equipment documentation is intended to ensure that equipment is properly installed in order to maintain it in a condition.

It is assumed that everyone who would be associated with the equipment should be familiar with the contents of that safety section, or this safety guide.

When electrical equipment is in operation, dangerous voltages will be present in certain parts of the equipment (e.g. the input terminal). Failure to observe warning notices, incorrect use, or improper use may endanger personnel and equipment and cause personal injury or physical damage.

Before working in the terminal strip area, the equipment must be isolated.

Proper and safe operation of the equipment depends on appropriate shipping and handling, proper storage, installation and commissioning, and on careful operation, maintenance and servicing.

The operating manual for the equipment gives instructions for its installation, commissioning, and operation. However, the manual cannot cover all conceivable circumstances or include detailed information on all topics. In the event of questions or specific problem, do not take any action without proper authorization. Contact the appropriate WB technical sales office and request the necessary information.

### Standard application

#### 1. Accuracy

Accurate degree is conformed to IEC688:1992

#### 2. Safety

##### 2.1 Overload capability

Overload capability is conformed to IEC688:1992

##### 2.2 Isolation voltage

Can be endured testing voltage is conformed to Q/72085584-0.1-2004

##### 2.3 Insulation impedance

The insulation impedance is no less than 20M Ohm, is conformed to Q/72085584-0.1-2004

#### 3. Electromagnetic Capability

3.1 Electromagnetic field immunity test according to IEC 61000-4-3:1995

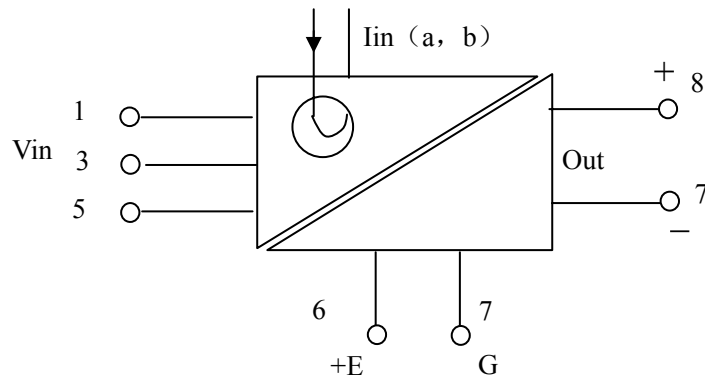
3.2 Power frequency magnetic field immunity test according to IEC 61000-4-8:1993

### Product Description and Application

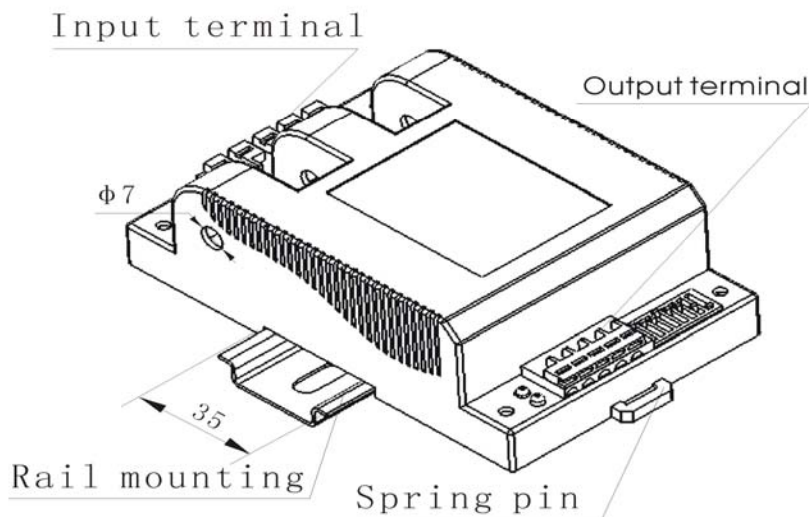
WBP214P71 adopts special made isolation module, professional MCU controller and the technologies of fast speed data synchronizing sampling and processing to isolate and convert active power from three-phase three-wired electric circuit into a load independent output DC average current signal 4-20mA.

WBQ214S41 has certain advantages of input/output isolation, high performance, low drifting by temperature, and low power consuming, etc.

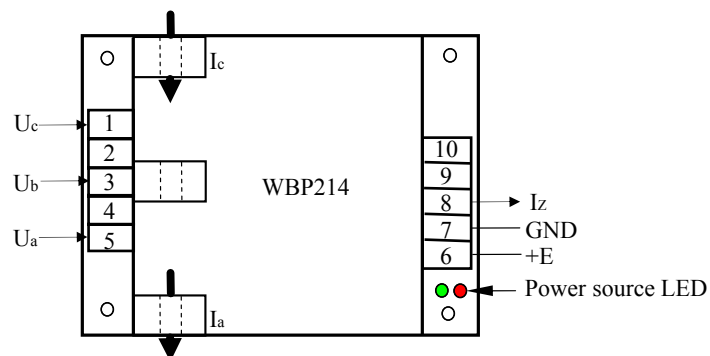
## Function realization schematic drawing



## Product Dimensional Drawing (unit: mm)



## Product Terminal Identification Drawing



### Terminal definition table

1	Uc	5	Ua
2		6	+E
3	Ub	7	GND
4		8	I <sub>Z</sub>

### Key Technical Data:

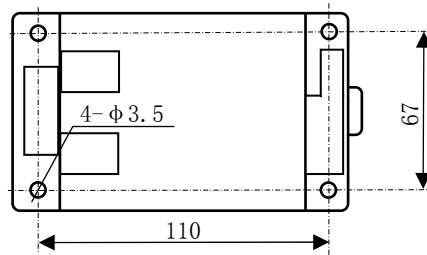
1. Input: V: 10...500V; I: 0.5...5A;
2. Output: 4mA~20mA;
3. Accuracy: 0.5%
4. Input Impedance (R): When  $U_x \geq 10V$ ,  $R_U = U_x \times 1K \Omega / V$
5. Linear Range: V: 20%~120% of nominal input  
I: 1%~120% of nominal input  
COS $\phi$ : 0.1 (lag) ~1~0.1 (lead)
6. Responding Time:  $\leq 300$  ms
7. Over Load Capacity: 2 times of nominal input voltage, continuous;  
20 times of nominal input current, continuous.
8. Maximum Load: 6V
9. Auxiliary Power: +12 Vdc/+24 Vdc
10. Current consumption for static status: 35mA
11. Isolation Voltage: 2500V<sub>DC</sub>, for 1 minute
12. Output Ripple: <10mV (root-mean-square value, output load is 250Ohm)
13. Drifting by Temperature:  $\leq 1.0 \times 10^{-4} / ^\circ C$  (0 $^\circ C$ ~+50 $^\circ C$ )
14. Ambient Temperature: 0 $^\circ C$ ~+50 $^\circ C$
15. Mounting: DIN Rail 35mm Mounting

### Instruction of Installation and Use

1. The product has adopted structure compliance with EN50022; suitable for DIN rail mounting NS35/7.5, NS35/15. Installation steps are as following (please reference to dimensional drawing):

- Step 1: Immobilize one side of product's mounting trough to the DIN mounting rail;
- Step 2: Pull out the spring clasp;
- Step 3: Place whole mounting trough to the DIN mounting rail properly;
- Step 4: Release spring clasp to make sure the installation.

When uses screws for installation, the user needs 4 pieces of M3 screws and follows drawing below to set screw installation holes.



2. The product has calibrated before out of factory. After correctly wiring, it can be powered and used immediately. But for further precise signal sampling, user needs to warm-up the product for 3 minutes before use.
- The auxiliary power requires isolation voltage  $\geq 2000V_{AC}$ , DC current output ripple  $< 10mV$ , and multiple converters can share with one set auxiliary power together.
  - Output signal ( $I_z$ ) is designed to follow the impedance load value of  $250\Omega$ ; When Resistance ( $R_1$ ) is less than  $100\Omega$ , the user must add output current circuit a power reduced resistance load  $R_0$  to keep the summation of total impedance value is between  $100\Omega \sim 250\Omega$
3. Basic testing method for accuracy

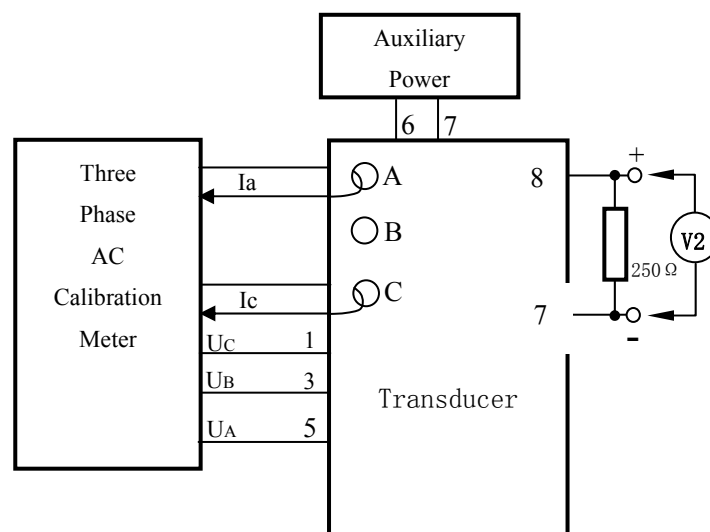
- According to the terminal definition table to connect the testing circuit;
- The testing must to be done by under the following conditions;

Auxiliary power:  $24V \pm 0.5\%$ , ripple  $\leq 5mV$

Ambient temperature:  $25^\circ C \pm 2^\circ C$

Relative humidity: RH(45~75)%

Accuracy for Signal Power Source instrument: 0.05



- (3) Warming up the transducer for 3 minutes
- (4) Based on the indication of 3-phase AC Calibration Meter, set one set of any input value which is within the measuring range of the transducer  $U_r$  (line voltage),  $I_r$ ,  $\text{COS}\phi$ , and the 3-phase input is balanced. (e.g. if input value is 100V and 5A, the output is 4-20mA, the expected output value  $I_z$  should be calculated as:  $I_z = (20\text{mA} - 4\text{mA}) \times \left| \frac{U_r \times I_r \times \text{COS}\phi}{100\text{V} \times 5\text{A}} \right| + 4\text{mA}$ )
- (5) Using output monitoring meter V2 to measuring the output voltage  $V_0$  of the transducer, the basic introduced error  $\gamma$  of the transducer should be calculated as:

$$\gamma = (V_0 - I_z \times 250 \Omega) / [(20\text{mA} - 4\text{mA}) \times 250 \Omega] \times 100$$

Repeating step (4) (5), if calculated absolute value is less than the given accuracy value of the transducer, it shows the transducer's accurate grade is qualified.

## Caution:

1. Pay attention to the auxiliary power information, especially the auxiliary power grade, and polarity, other wise will damage the product.
2. Pay attention to the wire connection; wrong terminal connection will cause malfunction of the product and even damage the product;
3. Don't dismantle the product, and carry with care to avoiding bump and fall of the product;
4. If the product has been using under the environment with strong magnetic field interference, please pay attention to the shield of input wire, and the output signal wire should be as short as possible. For product intensive installation, the space between each product should not be smaller than 10mm.
5. Only use identified terminals.
6. There is no lightning strike prevention circuit design in this product. For out door and hazardous environment using, please add protective alternatives.
7. This product uses fire prevent ABS crust, its temperature withstand is only limited as  $+85^\circ\text{C}$ , higher than this limitation will cause the product deformation. Please use and store carefully.

## Warranty:

- (a) Product Warranty: Seller warrants that upon Delivery the Product to be supplied by Weibo shall be completely new and shall comply in all respects with the Technical Specification confirmed with Buyer.
- (b) Warranty Period: Three-year warranty of free charge of repairing the product, and any purchase made in six months, Weibo will provide free charge of change and return the product if damage and problem caused by product quality.

Mianyang Weibo Electronics Co., Limited  
 No.7 Road 2 of Xianren Road Youxian District Mianyang City P.R. China  
 Tel: 86-816-2971265 Fax: 86-816-2281934  
[www.wb-my.com](http://www.wb-my.com)    [wblch@wbdz.cn](mailto:wblch@wbdz.cn)

Note: Transportation fee of repaired and returned product will be borne by Buyer

## Product Input-Output characteristic curve

