

TR SERIES TEMPERATURE TRANSMITTER



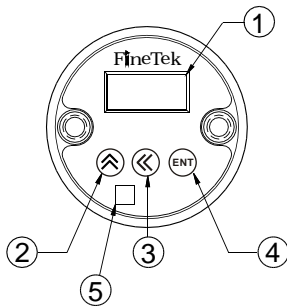
FEATURES

- Input signal : mV , V , mA , Thermocouple , RTD or Ohm
- Accuracy : $\pm 0.3\%$ F.S. or ± 1 digit
- Loop power : 12~32 Vdc
- 4 digit LCD display
- Temperature range adjustable by PC or key pad.

SPECIFICATIONS

Supply Voltage	: Loop Power 12~32 Vdc
Accuracy	: $\pm 0.3\%$ FS or ± 1 digit
Voltage Input	: 0~500 mV/ 0~1V/ 0~5V/ 0~10V/ 0~20V
Current Input	: 0~20 mA/ 4~20 mA
Thermocouple Input	: K/ J/ T/ E/ R/ S/ B/ N
RTD Input	: PT100
Analog Output	: 4~20 mA
LCD Display	: Display range -1999~9999; 3 Press-Button

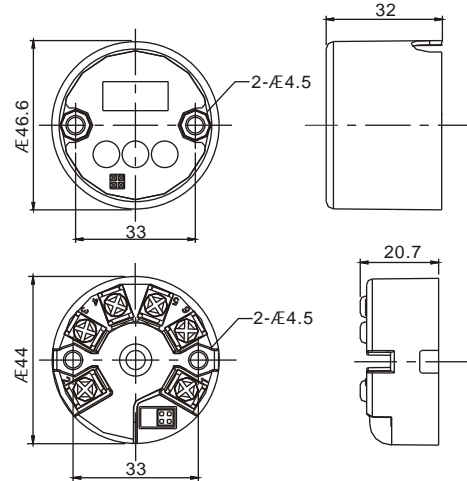
FRONT PANEL



- ① LCD displays.
- ② ⬆ "Up" key: increment and mode change.
- ③ ⬅ "Shift" key: position shift.
- ④ ENT "Enter" key: confirmation.
- ⑤ Communication Terminal.

DIMENSION

* Recommend using M4x 15 screw for fixing purpose.



ORDERING INFORMATION

TR- **1** **2** **3** **4** - **5** **6** **7**

- | | | | |
|-------------------|--|----------|---|
| 1 | Input Type Select
V : DC Voltage
I : DC Current
T : Thermocouple/RTD
R: ohm | 5 | Output
0: 4-20mA
1: 20-4mA |
| 2 | Input Unit
0: °C
1: °F | 6 | Display
0: None
1: LCD |
| 3 4 | Input Range: See Table | 7 | Communication
0: None
1: Communication Interface |

TR - 1 2 3 4 - 5 6 7						
Input Type	Unit	Input Range		Output	Display	Communication
1	2	3	4	5	6	7
V	0:V	01	DC Voltage 0~0.5V	0: 4~20mA 1: 20~4mA	0: None 1: LCD	0: None 1: Communication
		02	DC Voltage 0~1V			
		03	DC Voltage 0~5V			
		04	DC Voltage 0~10V			
		05	DC Voltage 0~20V			
I	0:mA	01	DC Current 0~20mA			
		02	DC Current 4~20mA			
R	0:Ohm	01	Resistance 0~400Ohm			
T	0:°C 1:°F	01	K Type -200°C~1370°C			
		02	J Type -210°C~1200°C			
		03	T Type -200°C~400°C			
		04	E Type -200°C~1000°C			
		05	R Type -50°C~1200°C			
		06	S Type -50°C~1200°C			
		07	B Type 250°C~1820°C			
		08	N Type -200°C~1300°C			
		09	PT100 -200°C~850°C			